



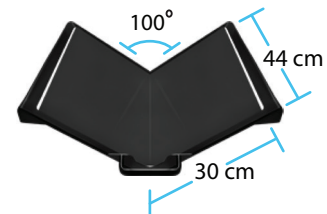
BookDrive Mark 2 Lite

Setting a new standard in book digitization once again.

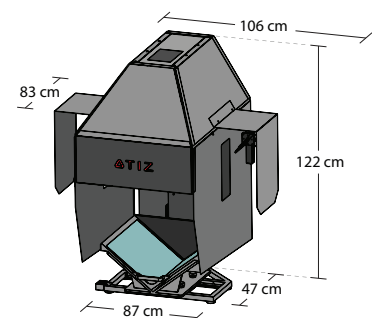
Meet BookDrive Mark 2 Lite. Our latest, best designed and engineered model yet.

Years of research and close collaboration with technical specialists has resulted in a scanner superior to others in almost every way.

Create images that meet among the highest, most stringent digitization and preservation standards.



Max scanning area: 30 x 44 cm (11.8 x 17.3 inches)
 Max book thickness: 12 cm (4.7 inches)



Top Features

- New generation scanner, medium size
- Supports scanning up to 2 x A3
- Supreme ergonomics and comfort
- Extra uniform light distribution for best image quality
- No direct light or reflection hitting user eyes
- Supports Canon DSLRs
- Glare-free results even on glossy materials
- Max scan speed 800 pages/hour
- Auto Capture Switch integrated for scanning without pushing buttons

Dimension

Base footprint: 47 x 57 cm (18.5 x 22.4 inches)
 Overall dimension: 83 x 106 x 122 cm (32.7 x 41.7 x 48.0 inches)
 Weight: 35 kg (77.0 lbs)